

SPECIFICATION SHEET

PRODUCT # : T-LTF-60

- Transformers
- Landscape Series

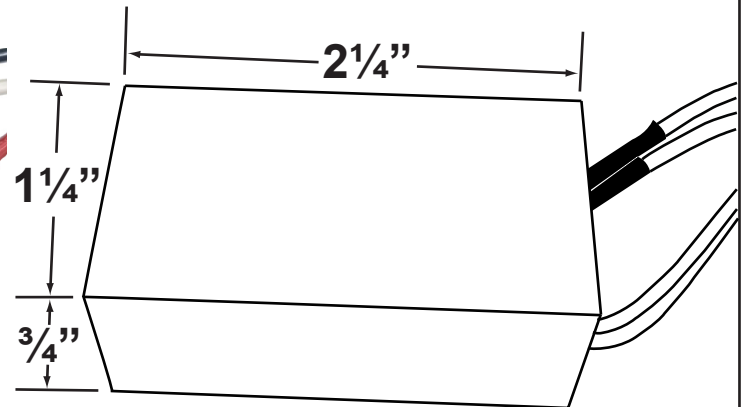
Transformer Specifications:

Enclosure: Low profile design, compact high-impact plastic

Electrical Characteristics:

Wattage: 60W
Primary Voltage: 120V AC, 0.5A 50/60Hz
Secondary Voltage: 12V AC, 0-60W
Protection: Auto-reset; short-circuit overload & thermal protections.
Output Terminal: Two lead wired (red) to directly connect to LED fixture.

Input Cable: Two lead wired (black/white) to directly connect to electric source.
Core: No load technology, isolated output power per NEC and UL safety requirements.
Dimming: ELV dimming, 0-10w dimming loop.
Case TC: Case rated for operation temperature up 90°C (194°F)
Certification: Class 2 transformer. ETL listed to U.S. safety standards for landscape lighting transformers (UL2108). Suitable for use in damp locations.
Warranty: Three (3) Year Limited Warranty for protection against manufacturer defects.



FEATURES:

- No load technology, works with both Halogen & LED AC loads **.
- Isolated output power per NEC and UL safety requirements
- UL recognized/listed Class 2 power supply, meet UL 2108 requirements
- Auto-reset; Short circuit, Overload and Thermal protection
- Soft start
- Dimmable
- Low profile, small compact design to fit in most enclosures

WARNINGS:

- Risk of electric shock: Install the transformer at least 5 feet from pool or spa and at least 10 feet from a fountain. If the transformer is installed within 10 feet of a pool or spa connect it to a GFCI protected circuit.
- The transformer must be connected to a GFCI receptacle with cover, marked "WET LOCATION" while it is in use.
- The transformer is for use ONLY on a circuit that is protected by a class "A" ground fault circuit interrupter (GFCI).
- For use ONLY with landscape lighting system. For "OUTDOOR USE ONLY", not for use inside dwelling units.
- Do not connect two or more transformers in parallel. Do not use extension cord with transformers.