

# SPECIFICATION SHEET

## PRODUCT # : CL-717B-SI

•Path Lights

•Solid Brass

### Fixture Specifications:

**Housing:** Corrosion resistant Solid Brass "L" shaped design

**Stem:** Solid brass pipe with 1/2" NPT on bottom

**Finish:** **SI- Silver Plated.** Natural toning process. Also in **AB**, and **GM** finishes. Aluminum options available in **BK** and **BZ**

**Lens:** High impact, sandblasted, heat resistant clear glass. Extra frosted and linear lenses included.

**Socket:** Top grade fixed ceramic bi-pin socket. Easy tool-free lamp access.

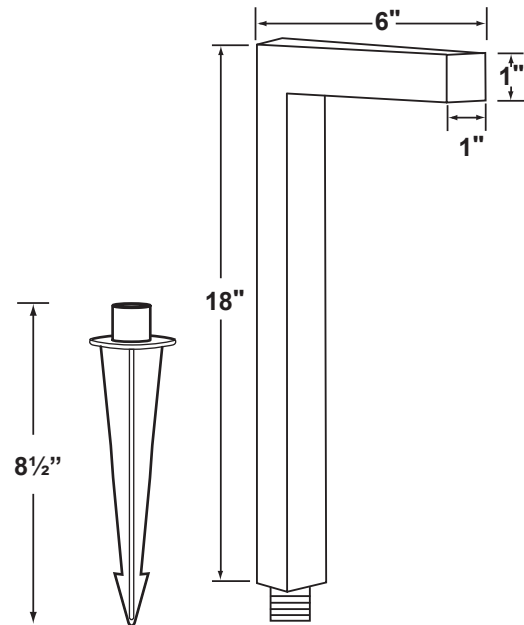
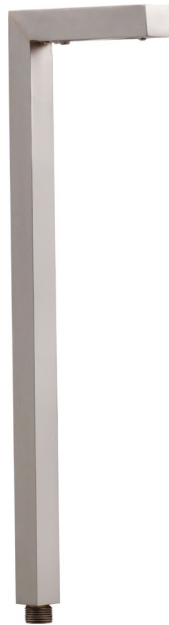
**Lamp:** Designed to use a 12V, T3 LED lamp only. Available in LED (2W & 2.5W) or without lamp. See the Lamp Guide below for more information. Not to be used with halogen/xenon lamps.

**Wiring:** Fixture is prewired with a 3ft, 18-2 direct burial cord Wire connector sold separately. Universal connector (**CX-839**) and silicone filled wire nut (**CX-854**) are available from Corona Lighting.

**Mounting Spike:** Standard injection molded spike with 1/2" NPT threaded female hub.

**Electrical Notes:** A remote 12V transformer is required. Options are available from Corona Lighting. Voltage range for LED lamps are 8V-21V. Proper grease/lubricant is suggested on threaded parts during installation process.

**Warranty:** Limited lifetime warranty on fixture housing against manufacturer's defects.



### AVAILABLE LED LAMPS (Corona LED lamps have a five (5) year limited warranty against manufacturer's defects)

| LAMP NUMBER    | WATTS | BEAM   |       | COLOR & TEMP. | RATED HOURS | HALOGEN EQUIVALENT |
|----------------|-------|--------|-------|---------------|-------------|--------------------|
|                |       | SPREAD | LUMEN |               |             |                    |
| L-EDT3-2W      | 2     | 360°   | 200   | 2700K         | 25,000      | 20 Watt            |
| L-EDT3-2.5W    | 2.5   | 180°   | 240   | 2700K         | 25,000      | 35 Watt            |
| L-EDT3-2W-3K   | 2     | 360°   | 210   | 3000K         | 25,000      | 20 Watt            |
| L-EDT3-2.5W-3K | 2.5   | 180°   | 250   | 3000K         | 25,000      | 35 Watt            |
| L-EDT3-AM*     | 2     | 360°   | 170   | 2000K         | 25,000      | 20 Watt            |

\* AM- Amber color

For more additional Lamps, and accessories visit [Coronalighting.com](http://Coronalighting.com)

### JOB INFORMATION

TYPE: DATE:

JOB NAME & ADDRESS:

PRODUCT #:

TOTAL QUANTITY:

LAMP TYPE & WATTAGE:

TRANSFORMER:

CONTRACTOR:

SPECIFIER:

• When ordering LED lamp with a fixture your part number should follow the format below:

• **CL** - **product #** - **lamp** - **wattage**

Example: CL-717B-SI-L-EDT3-2W-3K

CL - 717B-SI - L-EDT3 - 2W-3K

• Corona Lighting reserves the right to make any change and/or improvement to the design and construction of this fixture without further notification.

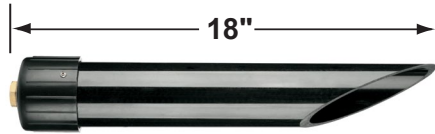
## PRODUCT # : CL-717B-SI

•Path Lights

•Solid Brass

### Mounting Pedestals

- CX-601-BK 1" PVC Mounting Pedestal, 1/2" NPT, **Black**
- CX-601-VG 1" PVC Mounting Pedestal, 1/2" NPT, **Verde Green**
- CX-603-BK 3" PVC Mounting Pedestal, 1/2" NPT Female Brass Hub on top, **Black**
- CX-603-VG 3" PVC Mounting Pedestal, 1/2" NPT Female Brass Hub on top, **Verde Green**



**CX-603-BK**

- CX-604-BK 1" PVC Adjustable Mounting Pedestal, 1/2" NPT, **Black**
- CX-621-BK 1" PVC Cap, 1/2" NPT, **Black**
- CX-621-VG 1" PVC Cap, 1/2" NPT, **Verde Green**
- CX-622-BK 2" PVC Cap, 1/2" NPT, **Black**
- CX-622-VG 2" PVC Cap, 1/2" NPT, **Verde Green**
- CX-624-BK 3" PVC Cap, 1/2" NPT Female Brass Hub, **Black**
- CX-624-VG 3" PVC Cap, 1/2" NPT Female Brass Hub, **Verde Green**

### Mounting Canopies

- CX-705B-SI Brass Flat Canopy, 1/2 NPT, **Silver Plated**
- CX-709B-SI Brass Raised Canopy, 1/2 NPT, **Silver Plated**



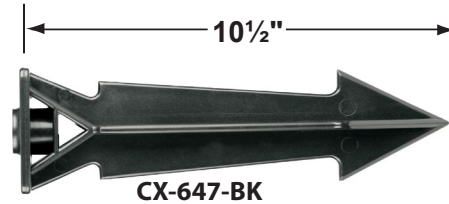
**CX-709B-SI**



**CX-705B-SI**

### Ground Spikes

- CX-642-BK 8.5" ABS Spike, 1/2" NPT, **Black**
- CX-642-BZ 8.5" ABS Spike, 1/2" NPT, **Bronze**
- CX-643-BZ 8.5" ABS Spike, 1/2" NPT, **Bronze**



**CX-647-BK**

- CX-646-BK 8" ABS Spike, 1/2" NPT, **Black**
- CX-646-BR 8" ABS Spike, 1/2" NPT, **Natural Brass**
- CX-646-SS 8" ABS Spike, 1/2" NPT, **Stainless Steel**
- CX-647-BK 10.5" Heavy Duty ABS Spike, 1/2" NPT, **Black**

### Cable Connectors

- CX-854 Direct Burial Silicone Filled Wire Nut, **Tan**
- CX-858 Speedy Cable Connector, Supply Cable up to 10-2, **Black**
- CX-839 Universal cable connector, Supply cable up to 8-2, one/Pack **Black**



**CX-839**



**CX-854**