

SPECIFICATION SHEET

PRODUCT # : CL-399-BZ

•Rail Lights

•Aluminum

Fixture Specifications:

Light Bar Housing: Cast aluminum. Removable bar for variety of uses

Finish: BZ- Bronze

Lighting Source: Integrated LED, ten single cores, 4 Watt, 200 Lumens, 3000 Kelvin, 120° beam spread, 8-18 volt AC operating voltage, 25W Halogen equivalent, -4°F to +140°F ambient temperature.

Wiring: Fixture is prewired with a 10-ft 18-2 direct burial cord, pre-stripped for easy connection, wire connector sold separately. Universal connector (CX-839) and silicone filled wire nut (CX-854) are available from Corona Lighting.

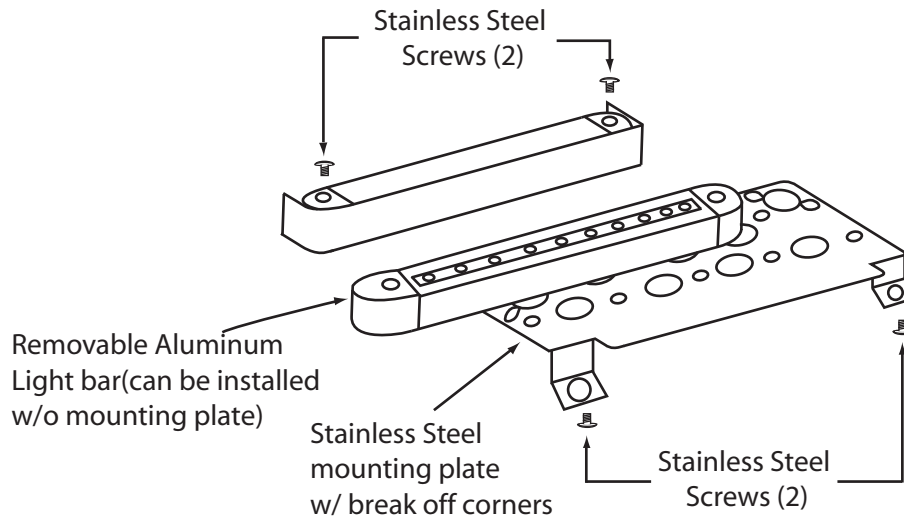
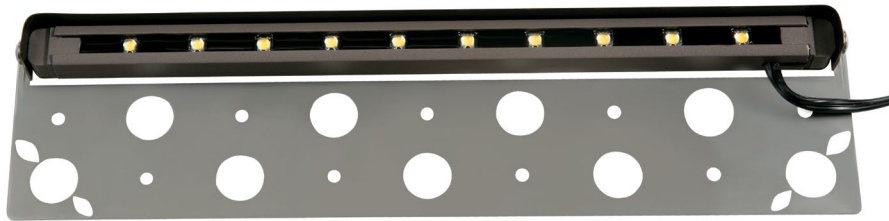
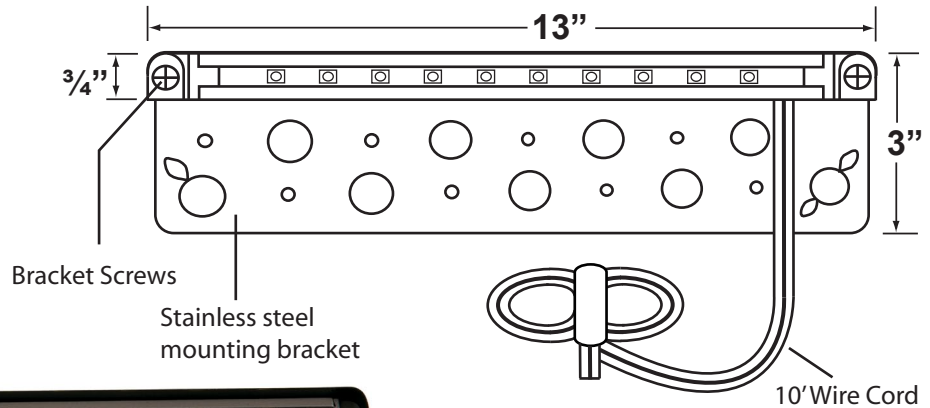
Mounting Bracket: Stainless steel, glare shield, supplied with screws and anchor bolts. Break off corners for easy installation.

Electrical Notes: A remote 12V magnetic transformer is required, can be ordered from Corona Lighting, separately. Not for use with electronic transformer. Increasing voltage above 12 volts may decrease the life of LED cores.

Applications: Retaining walls, Patios, Gazebos, Decks, Benches, Stairs, and Outdoors Living Spaces.

Dimensions: 13" X 3/4"

Warranty: 10 year warranty, with a rated life of 50,000 hours.



JOB INFORMATION

TYPE: _____ DATE: _____
 JOB NAME & ADDRESS: _____
 PRODUCT #: _____
 TOTAL QUANTITY: _____
 LAMP TYPE & WATTAGE: _____
 TRANSFORMER: _____
 CONTRACTOR: _____
 SPECIFIER: _____

PRODUCT # : CL-399-BZ

•Rail Lights

•Aluminum

Cable Connectors

- CX-854 Direct Burial Silicone Filled Wire Nut, **Tan**
- CX-858 Speedy Cable Connector, Supply Cable up to 10-2, **Black**
- CX-839 Universal cable connector, Supply cable up to 8-2, one/Pack **Black**

