



WWW.CORONALIGHTING.COM

1633 Staunton Ave  
Los Angeles, CA 90021

TEL. FAX.

(800) 727-9262 (800) 727-9957  
(213) 747-4500 (213) 747-3234

ARCHITECTURAL GRADE SERIES

# SPECIFICATION SHEET

E-Mail: sales@coronalighting.com

## PRODUCT # : CL-395-BK

• Brick Light

• Cast Aluminum

### Fixture Specifications:

**Housing:** Premium corrosion resistant diecast aluminum

**Faceplate:** Diecast aluminum faceplate with frosted lens, fitted to stainless steel backplate.

**Finish:** **BK- Black.** Polyester UV Powder Coated.  
Also available in: **AB-** Antique Bronze, **BZ-** Bronze, **GM-** Gun Metal, **SI-** Silver Plated

**Lighting Source:** Removable 5W LED module, 450 lumens, 3000K, 35W halogen equivalent. Rated hours: 30,000

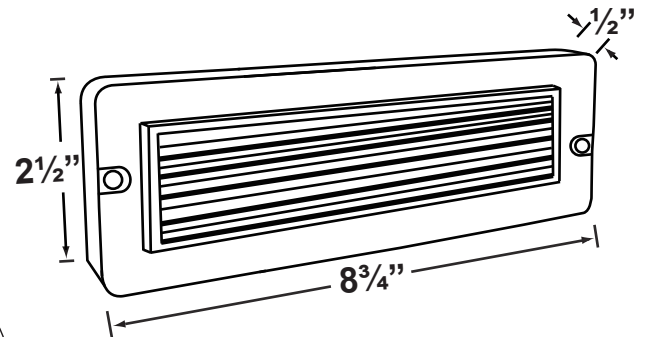
**Wiring:** Fixture is prewired with a 25ft 18-2 SPT2-W direct burial cord. Wire connector sold separately. Silicone filled wire nut (**CX-854**) is available from Corona Lighting.

**Mounting:** Surface mounted on walls or steps. Best used on concrete, brick, or other masonry surfaces. Two screws and two anchor bolts are provided.

**Electrical Notes:** Removable LED module is dimmable. A remote 12V magnetic transformer is required. Options are available from Corona Lighting. Not for use with electronic transformers. Voltage range for LED module is: 8 -15Volt AC  
Ambient temperature: -40°F to 124°F. CRI: Ra > 80  
Proper grease/lubricant is suggested on threaded parts during installation process. Increasing voltage above 12 volts AC may decreased life of LED cores.

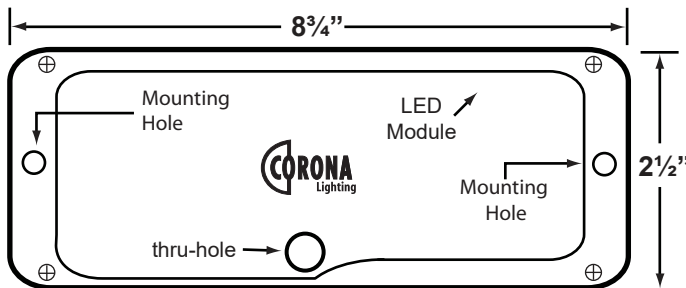
**Dimensions:** 8<sup>3</sup>/<sub>4</sub>" (Width) x 2<sup>1</sup>/<sub>2</sub>" (Height) x 1/2" (Depth)

**Warranty:** Five (5) year warranty on fixture housing and faceplate against manufacturer's defects. Ten (10) year warranty on removable LED module.



### Template of backplate

**NO BACKBOX REQUIRED**



**NOTE:** This is the back of the Fixture. Looking from the front of the fixture the positions of through-hole and other details are reversed.

### JOB INFORMATION

TYPE: DATE:

JOB NAME & ADDRESS:

PRODUCT #:

TOTAL QUANTITY:

LAMP TYPE & WATTAGE:

TRANSFORMER:

CONTRACTOR:

SPECIFIER:

**PRODUCT # : CL-395-BK**

• Brick Lights

• Cast Aluminum

**Cable Connector**

CX-854 Direct Burial Silicone Filled Wire Nut, Tan

