

SPECIFICATION SHEET

PRODUCT # : CL-368B-GM

•Brick Lights

•Cast Brass

Fixture Specifications:

Housing: Heavy Duty Corrosion Resistant Cast Brass.

Faceplate: Die cast brass, fitted to housing with a silicone gasket.

Finish: **GM- Gun Metal.** Natural toning process. GM finish will vary due to artistic process. Also available in **AB- Antique Bronze**

Lens: Frosted and heat resistant glass.

Socket: Two S.C. Bayonet sockets, attached to aluminum reflector. Halogen socket available.

Lamp: Two 12V, S.C. Bayonet, 27W max. Available in 2xLED (2W & 2.5W) or without lamps. See the Lamp Guide below for more information.

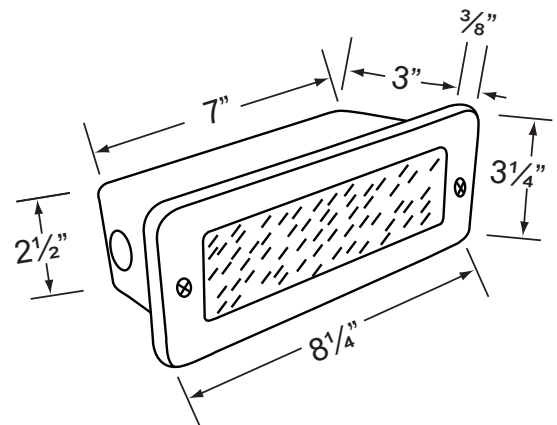
Gasket: Silicone gasket, seals faceplate to housing. Providing weather tight protection.

Wiring: Fixture is prewired with a 3ft 18-2 SPT1-W direct burial cord. Wire connector sold separately. Silicone filled wire nut (**CX-854**) is available from Corona Lighting.

Mounting: Recessed mount back box. Best used in concrete, brick and other masonry, with 5x 1/2" NPT inlets.

Electrical Notes: A remote 12V transformer is required. Options are available from Corona Lighting. Voltage range for LED lamps are 8V-21V.

Warranty: Limited lifetime warranty on fixture housing and faceplate against manufacturer's defects.



LED
2x 2W & 2.5W

AVAILABLE LED LAMPS (Corona LED lamps have a five (5) year limited warranty against manufacturer's defects)

LAMP NUMBER	WATTS	BEAM		COLOR & TEMP.	RATED HOURS	HALOGEN EQUIVALENT
		SPREAD	LUMEN			
L-EDBA-2W	2	360°	200	2700K	25,000	20 Watt
L-EDBA-2.5W	2.5	180°	240	2700K	25,000	35 Watt
L-EDBA-2W-3K	2	360°	210	3000K	25,000	20 Watt
L-EDBA-2.5W-3K	2.5	180°	250	3000K	25,000	35 Watt
L-EDBA-AM*	2	360°	170	2000K	25,000	20 Watt

*AM- Amber color

For more additional Lamps, and accessories visit Coronalighting.com

JOB INFORMATION

TYPE: _____ DATE: _____

JOB NAME & ADDRESS:

PRODUCT #:

TOTAL QUANTITY:

LAMP TYPE & WATTAGE:

TRANSFORMER:

CONTRACTOR:

SPECIFIER:

• If you are ordering LED lamps you should follow the format below:

• **CL** - **product #** - **lamp** - **wattage**

Example: CL-368B-GM-L-EDBA-2W-3K

CL - 368B-GM - L-EDBA - 2W-3K

• Corona Lighting reserves the right to make any change and/or improvement to the design and construction of this fixture without further notification.

PRODUCT # : CL-368B-GM

•Brick Lights

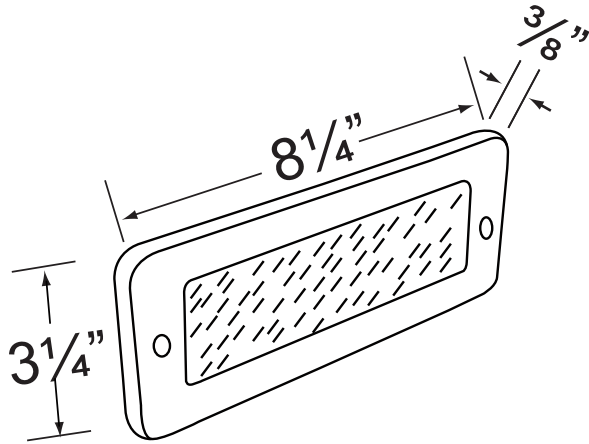
• Cast Brass

Faceplates

CX-834B-GM Brass lensed faceplate with frosted glass lens

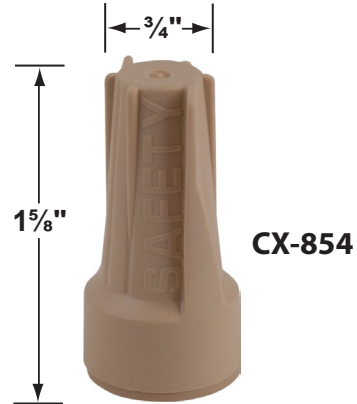
Finish: **GM**- Gun Metal

Also available in **AB**- Antique Bronze Finish



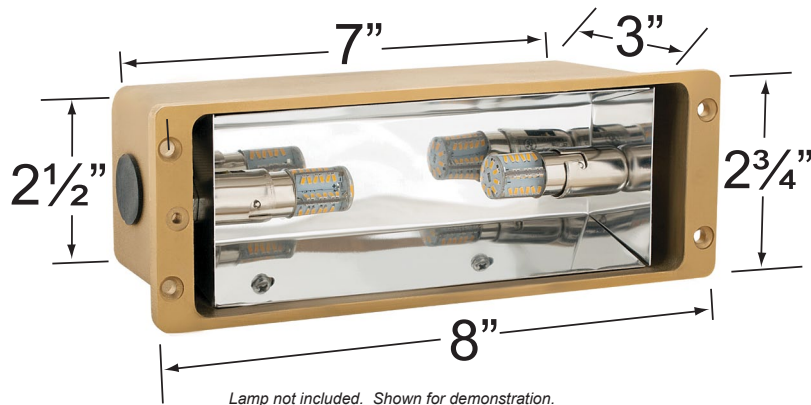
Cable Connector

CX-854 Direct Burial Silicone Filled Wire Nut, Tan



Mount Box

CX-735B Brass Mount Box



Lamp not included. Shown for demonstration.