

# SPECIFICATION SHEET

## PRODUCT # : CL-364B-GM

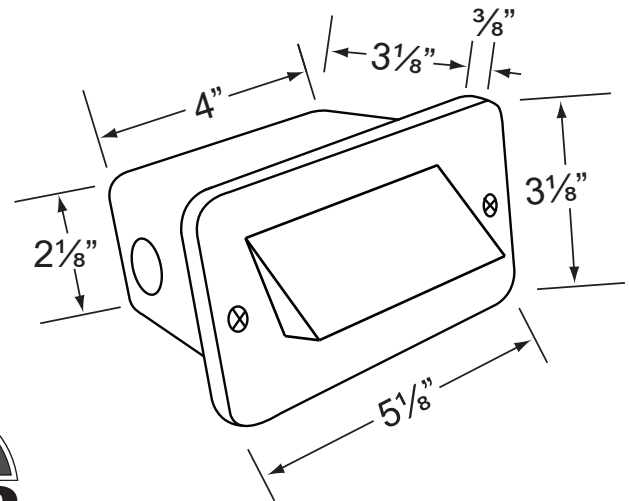
•Step Lights

•Cast Brass

### Fixture Specifications:

**Housing:** Heavy duty corrosion resistant cast brass.  
**Faceplate:** Die cast brass, fitted to housing with a silicone gasket.  
**Finish:** **GM- Gun Metal.** Natural toning process. GM finish will vary due to artistic process. Also available in **AB- Antique Bronze**  
**Lens:** Frosted and heat resistant glass.  
**Socket:** S.C. Bayonet socket, attached to aluminum reflector.  
**Lamp:** 12V, S.C. Bayonet, 27W max. Available in LED (2W & 2.5W) or without lamp. See the Lamp Guide below for more information.

**Gasket:** Silicone gasket, seals faceplate to housing. Providing weather tight protection.  
**Wiring:** Fixture is prewired with a 3-ft 18-2 SJT-W direct burial cord. Wire connector sold separately. Silicone filled wire nut (**CX-854**) is available from Corona Lighting.  
**Mounting:** Recessed mount back box. Best used in concrete, brick and other masonry, with 3x 1/2" NPT inlets.  
**Electrical Notes:** A remote 12V transformer is required. Options are available from Corona Lighting. Voltage range for LED lamps are 8V-21V.  
**Warranty:** Limited lifetime warranty on fixture housing and faceplate against manufacturer's defects.



2W and 2.5W

### AVAILABLE LED LAMPS (Corona LED lamps have a five (5) year limited warranty against manufacturer's defects)

LAMP NUMBER	WATTS	BEAM		COLOR & TEMP.	RATED HOURS	HALOGEN EQUIVALENT
		SPREAD	LUMEN			
L-EDBA-2W	2	360°	200	2700K	25,000	20 Watt
L-EDBA-2.5W	2.5	180°	240	2700K	25,000	35 Watt
L-EDBA-2W-3K	2	360°	210	3000K	25,000	20 Watt
L-EDBA-2.5W-3K	2.5	180°	250	3000K	25,000	35 Watt
L-EDBA-AM*	2	360°	170	2000K	25,000	20 Watt

\*AM- Amber color

For more additional Lamps, and accessories visit [Coronalighting.com](http://Coronalighting.com)

### JOB INFORMATION

TYPE: \_\_\_\_\_ DATE: \_\_\_\_\_

JOB NAME & ADDRESS:

PRODUCT #:

TOTAL QUANTITY:

LAMP TYPE & WATTAGE:

TRANSFORMER:

CONTRACTOR:

SPECIFIER:

• If you are ordering LED lamps you should follow the format below:

• **CL** - **product #** - **lamp** - **wattage**

**CL - 364B-GM - L-EDBA - 2W-3K**

Example: CL-364B-GM-L-EDBA-2W-3K

• Corona Lighting reserves the right to make any change and/or improvement to the design and construction of this fixture without further notification.

**PRODUCT # : CL-364B-GM**

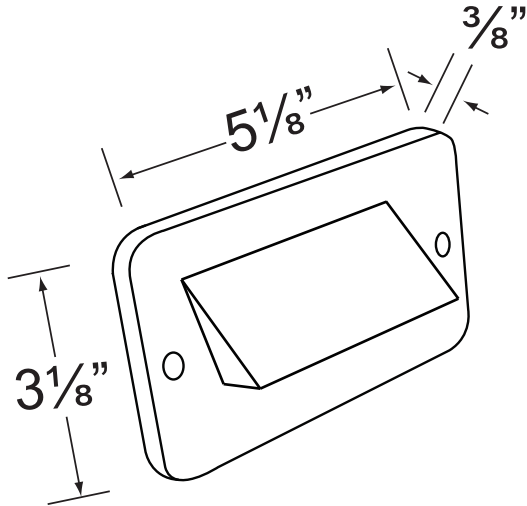
• Step Lights

• Cast Brass

**Faceplates**

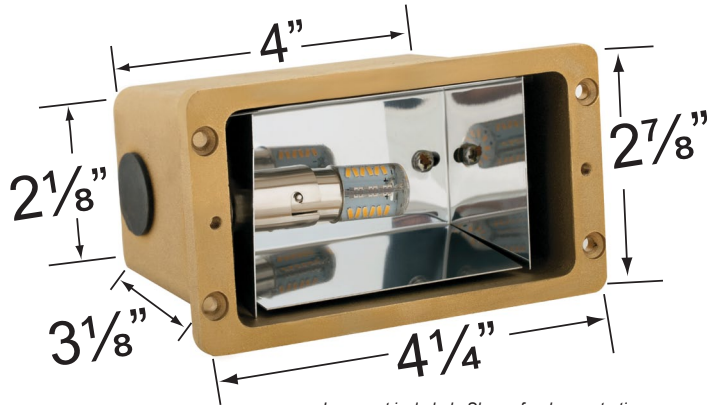
CX-832B-GM Brass 1 Louver Faceplate with Frosted Glass Lens

Finish: **GM**- Gun Metal  
Also available in **AB**- Antique Bronze Finish



**Mount Box**

CX-734 Brass Mount Box, No Lamp



Lamp not included. Shown for demonstration.

**Cable Connector**

CX-854 Direct Burial Silicone Filled Wire Nut, Tan

