

# SPECIFICATION SHEET

## PRODUCT # : CL-349B-GM

• Step Lights

• Cast Brass Faceplate

### Fixture Specifications:

**Housing:** Injection molded composite for high UV stability.  
**Faceplate:** Diecast brass, fitted to housing with silicone "O" ring gasket.  
**Finish :** **GM- Gun Metal.** Natural toning process. GM finish will vary due to artistic process. Also available in **AB- Antique Bronze**  
**Lens:** Frosted and heat resistant flat glass.  
**Socket:** Top grade adjustable ceramic bi-pin socket with retention clip and teflon-jacketed wire lead.  
**Lamp:** 12V, MR-16, 50W max. Available in LED (3.5W & 5W) or without lamp. See the Lamp Guide below for more information.  
**Gasket:** Silicone "O" ring seals faceplate to housing providing weather tight protection.

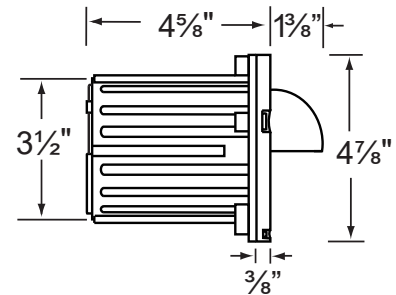
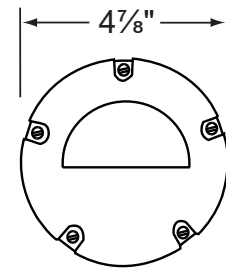
**Wiring:** Fixture is prewired with a 3ft 18-2 SJT-W direct burial cord. Wire connector sold separately. Silicone filled wire nut (**CX-854**) are available from Corona Lighting.  
**Mounting:** In-ground direct burial or concrete encasement. For best results when mounting in concrete, use the concrete pour kit (**CX-237**)  
**Electrical Notes:** A remote 12V transformer is required. Options are available from Corona Lighting. Voltage range for LED lamps are 9V-17V.  
**Warranty:** Limited lifetime warranty on fixture Brass faceplate and ten (10) years on housing against manufacturer's defects.



Fixture socket tilts for ± 25°



3.5W and 5W



### AVAILABLE LED LAMPS (Corona LED lamps have a five (5) year limited warranty against manufacturer's defects)

| LAMP NUMBER       | WATTS | BEAM           |       | COLOR & TEMP. | RATED HOURS | HALOGEN EQUIVALENT |
|-------------------|-------|----------------|-------|---------------|-------------|--------------------|
|                   |       | SPREAD         | LUMEN |               |             |                    |
| L-ED16-3W-SP      | 3.5   | 15° Spot       | 270   | 2700K         | 50,000      | 25 Watt            |
| L-ED16-3W-FL      | 3.5   | 45° Flood      | 270   | 2700K         | 50,000      | 25 Watt            |
| L-ED16-3W-WF      | 3.5   | 60° Wide Flood | 270   | 2700K         | 50,000      | 25 Watt            |
| L-ED16-5W-SP      | 5     | 15° Spot       | 350   | 2700K         | 50,000      | 40 Watt            |
| L-ED16-5W-FL      | 5     | 45° Flood      | 350   | 2700K         | 50,000      | 40 Watt            |
| L-ED16-5W-WF      | 5     | 60° Wide Flood | 350   | 2700K         | 50,000      | 40 Watt            |
| L-ED16-COB5W-SP   | 5     | 15° Spot       | 450   | 2700K         | 50,000      | 50 Watt            |
| L-ED16-COB5W-FL   | 5     | 38° Flood      | 450   | 2700K         | 50,000      | 50 Watt            |
| L-ED16-COB5W-WF   | 5     | 60° Wide Flood | 450   | 2700K         | 50,000      | 50 Watt            |
| L-ED16-COB5W-SP3K | 5     | 15° Spot       | 470   | 3000K         | 50,000      | 50 Watt            |
| L-ED16-COB5W-FL3K | 5     | 38° Flood      | 470   | 3000K         | 50,000      | 50 Watt            |
| L-ED16-COB5W-WF3K | 5     | 60° Wide Flood | 470   | 3000K         | 50,000      | 50 Watt            |

■ Single color MR-16 LED available in AMBER, BLUE, GREEN, PURPLE, RED and VIOLET

• When ordering LED lamp with a fixture your part number should follow the format below:

• **CL** - **product #** - **lamp** - **wattage** - **lamp angle**  
**CL - 349B-GM - L-ED16 - 5W - FL**

Example: CL-349B-GM-L-ED16-5W-FL

• Corona Lighting reserves the right to make any change and/or improvement to the design and construction of this fixture without further notification.

### JOB INFORMATION

TYPE: DATE:

JOB NAME & ADDRESS:

PRODUCT #:

TOTAL QUANTITY:

LAMP TYPE & WATTAGE:

TRANSFORMER:

CONTRACTOR:

SPECIFIER:

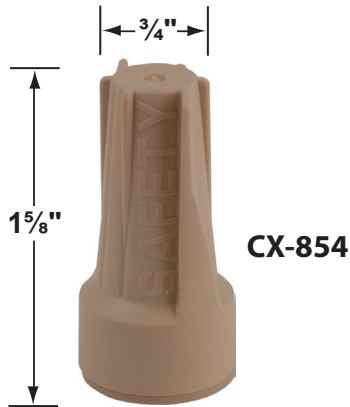
## PRODUCT # : CL-349B-GM

• Step Lights

• Cast Brass Faceplate

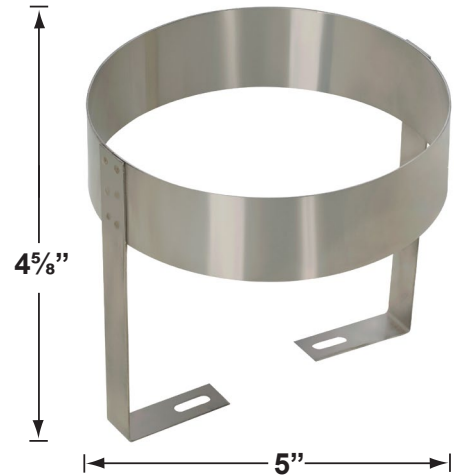
### Cable Connector

CX-854 Direct Burial Silicone Filled Wire Nut, **Tan**



### Mounting Tools

CX-237 Concrete Pour Kit, **Stainless Steel**



### Special Lenses & Honeycomb Louvers

- CX-238 MR-16 Snap-on holder, **Silver Plated**
- CX-239 MR-16 honeycomb louver, **Black**
- CX-240-AM MR-16 color lens, **Amber**
- CX-240-BL MR-16 color lens, **Blue**
- CX-240-GR MR-16 color lens, **Green**
- CX-240-RD MR-16 color lens, **Red**
- CX-240-YL MR-16 color lens, **Yellow**
- CX-241 MR-16 lens, **Linear Spread**
- CX-242 MR-16 lens, **Frosted**
- CX-243 MR-16 lens, **Prismatic**

*For MR-16 Lenses and Louvers, you will need the CX-238*

