

# SPECIFICATION SHEET

## PRODUCT # : CL-342B-SI

•Step Lights

•Cast Brass

### Fixture Specifications:

**Housing:** Corrosion Resistant Cast Brass.

**Faceplate:** Diecast solid brass, fitted to housing with silicone "O" ring gasket.

**Finish:** **SI - Silver Plated.** Natural toning process. Also available in **AB, BR** and **GM** finishes

**Lens:** Frosted and heat resistant flat glass.

**Socket:** Top grade fixed T5 wedge socket.

**Lamp:** 12V T5, 18W max.  
Available in 1.5W LED or without lamp.  
See the Lamp Guide below for more information.

**Mounting:** Surface mounted, includes mounting plate.

**Wiring:** Fixture is prewired with a 18-2 SPT1-W direct burial cord. Wire connector available seperately. Silicone filled wire nut (**CX-854**) is available from Corona Lighting.

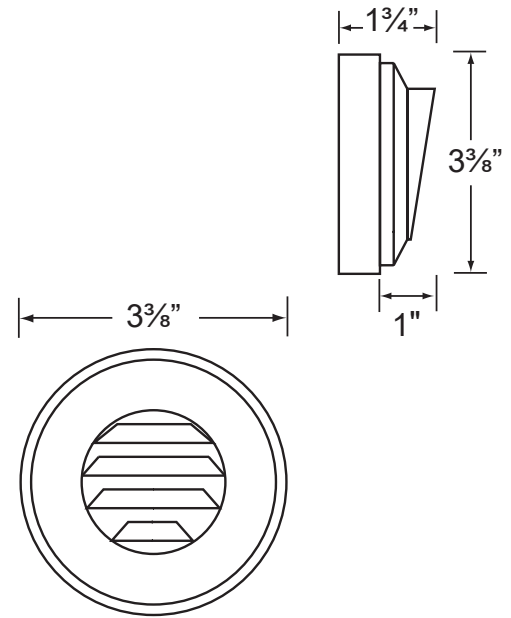
**Gasket:** Silicone "O" ring seals face plate to housing providing weather tight protection

**Electrical Notes:** A remote 12V transformer required, may be ordered to Corona Lighting seperately. Operating voltage range for LED lamps the range is 8-21V.

**Warranty:** Limited lifetime warranty on fixture against manufacturer's defects.



Twist To Lock Function  
Tool Free relamping.



### AVAILABLE LED LAMPS (Corona LED lamps have a five (5) year limited warranty against manufacturer's defects)

LAMP NUMBER	WATTS	BEAM		COLOR & TEMP.	RATED HOURS	HALOGEN EQUIVALENT
		SPREAD	LUMEN			
L-EDT5-1.5W	1.5	180°	120	2700K	12,000	10 Watt

### JOB INFORMATION

TYPE: \_\_\_\_\_ DATE: \_\_\_\_\_

JOB NAME & ADDRESS: \_\_\_\_\_

PRODUCT #: \_\_\_\_\_

TOTAL QUANTITY: \_\_\_\_\_

LAMP TYPE & WATTAGE: \_\_\_\_\_

TRANSFORMER: \_\_\_\_\_

CONTRACTOR: \_\_\_\_\_

SPECIFIER: \_\_\_\_\_

• If you are ordering LED lamps you should follow the format below:

• **CL** - **product #** - **lamp** - **wattage**  
**CL - 342B-SI - L-EDT5 - 1.5W**

Example: CL-342B-SI-L-EDT5-1.5W

• Corona Lighting reserves the right to make any change and/or improvement to the design and construction of this fixture without further notification.

**PRODUCT # : CL-342B-SI**

•Step Lights

•Cast Brass

**Cable Connector**

CX-854 Direct Burial Silicone Filled Wire Nut, Tan

