

SPECIFICATION SHEET

PRODUCT # : CL-331-BR

• Well Lights

• Die-Cast Brass

Fixture Specifications:

Housing: Die-cast brass adjustable fixture, suspended inside a reversible PVC sleeve with both flat and angle-cut options on either end.

Finish : **BR- Natural Brass.**
Also available in Aluminum **BK-Black**, and Composite in **NM- Black** finishes.

Lens: Clear, tempered and heat resistant flat glass.

Socket: Top grade ceramic bi-pin socket with retention clips.

Lamp: 12V, MR-16, 50W max.
Available in LED (3.5W & 5W) or without lamp.
See the Lamp Guide below for more information.

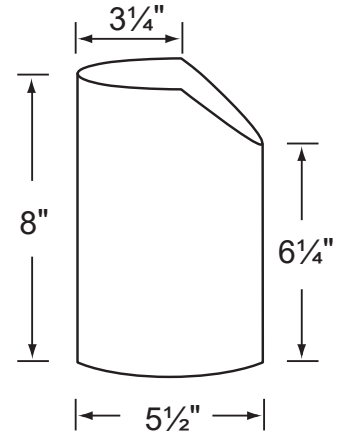
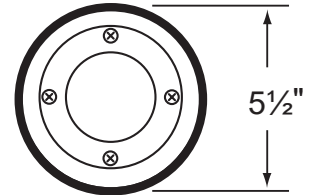
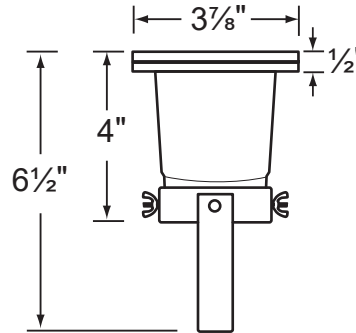
Gasket: Silicone "O" ring seals faceplate to housing providing weather tight protection.

Wiring: Fixture is prewired with a 3ft 18-2 SJT-W direct burial cord. Wire connector available separately. Silicone filled wire nut (**CX-854**) may be ordered to Corona Lighting.

Mounting: In-ground direct burial or concrete encasement.

Electrical Notes: A remote 12V transformer is required. Options are available from Corona Lighting. Voltage range for LED lamps are 9V-17V. Some assembly needed. Proper grease/lubricant is suggested on threaded parts during installation.

Warranty: Limited lifetime warranty on brass fixture against manufacturer's defects.



3.5W and 5W

AVAILABLE LED LAMPS (Corona LED lamps have a five (5) year limited warranty against manufacturer's defects)

LAMP NUMBER	WATTS	BEAM		COLOR & TEMP.	RATED HOURS	HALOGEN EQUIVALENT
		SPREAD	LUMEN			
L-ED16-3W-SP	3.5	15° Spot	270	2700K	50,000	25 Watt
L-ED16-3W-FL	3.5	45° Flood	270	2700K	50,000	25 Watt
L-ED16-3W-WF	3.5	60° Wide Flood	270	2700K	50,000	25 Watt
L-ED16-5W-SP	5	15° Spot	350	2700K	50,000	40 Watt
L-ED16-5W-FL	5	45° Flood	350	2700K	50,000	40 Watt
L-ED16-5W-WF	5	60° Wide Flood	350	2700K	50,000	40 Watt
L-ED16-COB5W-SP	5	15° Spot	450	2700K	50,000	50 Watt
L-ED16-COB5W-FL	5	38° Flood	450	2700K	50,000	50 Watt
L-ED16-COB5W-WF	5	60° Wide Flood	450	2700K	50,000	50 Watt
L-ED16-COB5W-SP3K	5	15° Spot	470	3000K	50,000	50 Watt
L-ED16-COB5W-FL3K	5	38° Flood	470	3000K	50,000	50 Watt
L-ED16-COB5W-WF3K	5	60° Wide Flood	470	3000K	50,000	50 Watt

■ Single color MR-16 LED available in AMBER, BLUE, GREEN, PURPLE, RED and VIOLET

JOB INFORMATION

TYPE: _____ DATE: _____

JOB NAME & ADDRESS: _____

PRODUCT #: _____

TOTAL QUANTITY: _____

LAMP TYPE & WATTAGE: _____

TRANSFORMER: _____

CONTRACTOR: _____

SPECIFIER: _____

• When ordering LED lamp with a fixture your part number should follow the format below:

• CL - product # - lamp - wattage - lamp angle

CL - 331-BR - L-ED16 - 5W - FL

Example: CL-331-BR-L-ED16-5W-FL

• Corona Lighting reserves the right to make any change and/or improvement to the design and construction of this fixture without further notification.

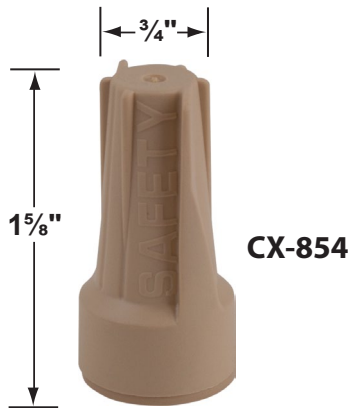
PRODUCT # : CL-331-BR

• Well Lights

• Die-Cast Brass

Cable Connector

CX-854 Direct Burial Silicone Filled Wire Nut, **Tan**



Special Lenses & Honeycomb Louvers

- CX-238 MR-16 Snap-on holder, **Silver Plated**
- CX-239 MR-16 honeycomb louver, **Black**
- CX-240-AM MR-16 color lens, **Amber**
- CX-240-BL MR-16 color lens, **Blue**
- CX-240-GR MR-16 color lens, **Green**
- CX-240-RD MR-16 color lens, **Red**
- CX-240-YL MR-16 color lens, **Yellow**
- CX-241 MR-16 lens, **Linear Spread**
- CX-242 MR-16 lens, **Frosted**
- CX-243 MR-16 lens, **Prismatic**

For MR-16 Lenses and Louvers, you will need the CX-238



Faceplates

CX-880B-AB Brass Louvered Coverplate

