

SPECIFICATION SHEET

PRODUCT # : CL-328-SS

•Well Lights

•Stainless Steel

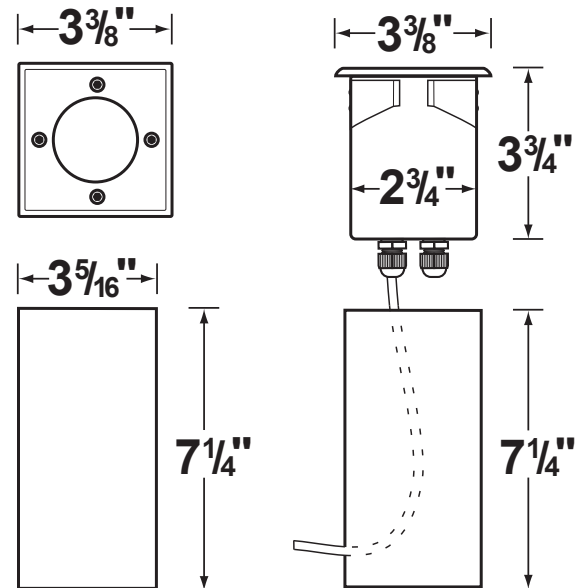
Fixture Specifications:

- Housing:** Steel faceplate fitted onto aluminum housing, mounted inside a PVC sleeve, providing in-ground fixture support.
- Faceplate:** Stainless Steel faceplate, designed to recess into installed floor.
- Finish:** **SS-Stainless Steel.** PVC is available in black only.
- Lens:** Clear, tempered, and heat resistant glass.
- Socket:** Top grade ceramic bi-pin socket with retention clip.
- Lamp:** 12V, MR-16, 35W max.
Available in LED (3.5W & 5W).
See the Lamp Guide below for more information.
- Gasket:** Silicone "O" ring seals faceplate to housing providing weather tight protection.

- Wiring:** Fixture is prewired with a 3ft 18-2 SJT-W direct burial cord. Wire connector available separately. Silicone filled wire nut (**CX-854**) may be ordered to Corona Lighting.
- Mounting:** In-ground direct burial, or concrete encasement, including in-out compartments for multiple connection of fixtures. Faceplate recessed to installed floor.
- Electrical Notes:** A remote 12V transformer is required. Options are available from Corona Lighting. Voltage range for LED lamps are 9V-17V. Proper grease/lubricant is suggested on threaded parts during installation process.
- Warranty:** Limited lifetime warranty on faceplate and one (1) year warranty on housing against manufacturer's defects.



3.5W and 5W



AVAILABLE LED LAMPS (Corona LED lamps have a five (5) year limited warranty against manufacturer's defects)

LAMP NUMBER	WATTS	BEAM		COLOR & TEMP.	RATED HOURS	HALOGEN EQUIVALENT
		SPREAD	LUMEN			
L-ED16-3W-SP	3.5	15° Spot	270	2700K	50,000	25 Watt
L-ED16-3W-FL	3.5	45° Flood	270	2700K	50,000	25 Watt
L-ED16-3W-WF	3.5	60° Wide Flood	270	2700K	50,000	25 Watt
L-ED16-5W-SP	5	15° Spot	350	2700K	50,000	40 Watt
L-ED16-5W-FL	5	45° Flood	350	2700K	50,000	40 Watt
L-ED16-5W-WF	5	60° Wide Flood	350	2700K	50,000	40 Watt
L-ED16-COB5W-SP	5	15° Spot	450	2700K	50,000	50 Watt
L-ED16-COB5W-FL	5	38° Flood	450	2700K	50,000	50 Watt
L-ED16-COB5W-WF	5	60° Wide Flood	450	2700K	50,000	50 Watt
L-ED16-COB5W-SP3K	5	15° Spot	470	3000K	50,000	50 Watt
L-ED16-COB5W-FL3K	5	38° Flood	470	3000K	50,000	50 Watt
L-ED16-COB5W-WF3K	5	60° Wide Flood	470	3000K	50,000	50 Watt

■ Single color MR-16 LED available in AMBER, BLUE, GREEN, PURPLE, RED and VIOLET

JOB INFORMATION

TYPE: _____ DATE: _____
 JOB NAME & ADDRESS: _____
 PRODUCT #: _____
 TOTAL QUANTITY: _____
 LAMP TYPE & WATTAGE: _____
 TRANSFORMER: _____
 CONTRACTOR: _____
 SPECIFIER: _____

• When ordering LED lamp with a fixture your part number should follow the format below:

• CL - **product #** - **lamp** - **wattage** - **lamp angle**
 CL - 328-SS - L-ED16 - 5W - FL

Example: CL-328-SS-L-ED16-5W-FL

• Corona Lighting reserves the right to make any change and/or improvement to the design and construction of this fixture without further notification.

PRODUCT # : CL-328-SS

• Well Lights

• Stainless Steel

Cable Connector

CX-854 Direct Burial Silicone Filled Wire Nut, **Tan**



Special Lenses & Honeycomb Louvers

- CX-238 MR-16 Snap-on holder, **Silver Plated**
- CX-239 MR-16 honeycomb louver, **Black**
- CX-240-AM MR-16 color lens, **Amber**
- CX-240-BL MR-16 color lens, **Blue**
- CX-240-GR MR-16 color lens, **Green**
- CX-240-RD MR-16 color lens, **Red**
- CX-240-YL MR-16 color lens, **Yellow**
- CX-241 MR-16 lens, **Linear Spread**
- CX-242 MR-16 lens, **Frosted**
- CX-243 MR-16 lens, **Prismatic**

For MR-16 Lenses and Louvers, you will need the CX-238

