

SPECIFICATION SHEET

PRODUCT # : CL-319B-GM

• Well Lights

• Cast Brass Faceplate

Fixture Specifications:

Housing: Injection molded composite for high UV stability.

Faceplate: Diecast brass, fitted to housing with silicone "O" ring gasket.

Finish : **GM- Gun Metal.** Natural toning process. GM finish will vary due to artistic process. Also available in **AB- Antique Bronze**

Lens: Clear and heat resistant flat glass.

Socket: Top grade adjustable ceramic bi-pin socket with retention clip and teflon-jacketed wire lead.

Lamp: 12V, MR-16, 50W max. Available in LED (3.5W & 5W) or without lamp. See the Lamp Guide below for more information.

Gasket: Silicone "O" ring seals faceplate to housing,

Wiring:

Fixture is prewired with a 3ft 18-2 SJT-W direct burial cord. Wire connector sold separately. Silicone filled direct burial wire nut (**CX-854**) is available from Corona Lighting.

Mounting:

In-ground direct burial or concrete encasement. For best results when mounting in concrete, use the concrete pour kit (**CX-237**)

Electrical Notes:

A remote 12V transformer is required. Options are available from Corona Lighting. Voltage range for LED lamps are 9V-17V. Proper grease/lubricant is suggested on threaded parts during installation process.

Warranty:

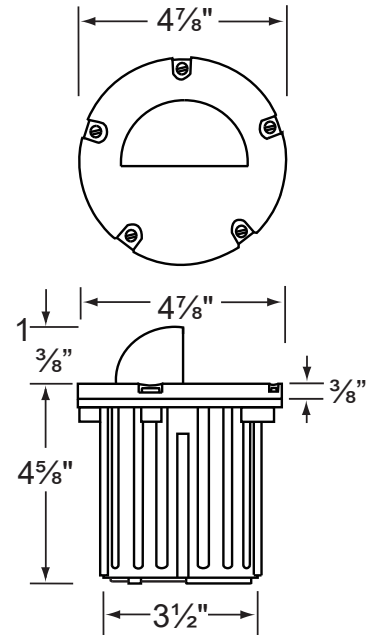
Limited lifetime warranty on fixture Brass face plate and ten (10) years on housing against manufacturer's defects.



Fixture socket tilts for ± 25°



3.5W and 5W



AVAILABLE LED LAMPS (Corona LED lamps have a five (5) year limited warranty against manufacturer's defects)

LAMP NUMBER	WATTS	BEAM		COLOR & TEMP.	RATED HOURS	HALOGEN EQUIVALENT
		SPREAD	LUMEN			
L-ED16-3W-SP	3.5	15° Spot	270	2700K	50,000	25 Watt
L-ED16-3W-FL	3.5	45° Flood	270	2700K	50,000	25 Watt
L-ED16-3W-WF	3.5	60° Wide Flood	270	2700K	50,000	25 Watt
L-ED16-5W-SP	5	15° Spot	350	2700K	50,000	40 Watt
L-ED16-5W-FL	5	45° Flood	350	2700K	50,000	40 Watt
L-ED16-5W-WF	5	60° Wide Flood	350	2700K	50,000	40 Watt
L-ED16-COB5W-SP	5	15° Spot	450	2700K	50,000	50 Watt
L-ED16-COB5W-FL	5	38° Flood	450	2700K	50,000	50 Watt
L-ED16-COB5W-WF	5	60° Wide Flood	450	2700K	50,000	50 Watt
L-ED16-COB5W-SP3K	5	15° Spot	470	3000K	50,000	50 Watt
L-ED16-COB5W-FL3K	5	38° Flood	470	3000K	50,000	50 Watt
L-ED16-COB5W-WF3K	5	60° Wide Flood	470	3000K	50,000	50 Watt

■ Single color MR-16 LED available in AMBER, BLUE, GREEN, PURPLE, RED and VIOLET

• When ordering LED lamp with a fixture your part number should follow the format below:

• CL - product # - lamp - wattage - lamp angle
CL - 319B-GM - L-ED16 - 5W - FL

Example: CL-319B-GM-L-ED16-5W-FL

• Corona Lighting reserves the right to make any change and/or improvement to the design and construction of this fixture without further notification.

JOB INFORMATION

TYPE: DATE:

JOB NAME & ADDRESS:

PRODUCT #:

TOTAL QUANTITY:

LAMP TYPE & WATTAGE:

TRANSFORMER:

CONTRACTOR:

SPECIFIER:

PRODUCT # : CL-319B-GM

• Well Lights

• Cast Brass Faceplate

Cable Connector

CX-854 Direct Burial Silicone Filled Wire Nut, **Tan**



CX-854

Special Lenses & Honeycomb Louvers

CX-238	MR-16 Snap-on holder, Silver Plated
CX-239	MR-16 honeycomb louver, Black
CX-240-AM	MR-16 color lens, Amber
CX-240-BL	MR-16 color lens, Blue
CX-240-GR	MR-16 color lens, Green
CX-240-RD	MR-16 color lens, Red
CX-240-YL	MR-16 color lens, Yellow
CX-241	MR-16 lens, Linear Spread
CX-242	MR-16 lens, Frosted
CX-243	MR-16 lens, Prismatic

For MR-16 Lenses and Louvers, you will need the CX-238



Mounting Tools

CX-237 Concrete Pour Kit

