

# SPECIFICATION SHEET

## PRODUCT # : CL-308-AB

•Underwater

• Cast Brass

### Fixture Specifications:

**Housing:** Corrosion resistant cast brass.

**Face Plate:** Cast brass with 316 marine grade stainless steel screws.

**Finish :** **AB- Antique Bronze.** Natural toning process. AB finish will vary due to artistic process. Also available in **BR- Natural Brass**

**Lens:** Clear, tempered, and heat resistant glass.

**Socket:** Top grade loose ceramic bi-pin socket, spring loaded design.

**Lamp:** 12V, MR-16, 50W max. Available in LED (3.5W & 5W) or without lamp. See the Lamp Guide below for more information.

**Gasket:** Silicone "O" ring seals faceplate to housing providing water tight protection.

**Applications:** To be used in fountains, ponds, and waterfalls. Do not use in swimming pools, lakes or spas.

**Wiring:** Fixture is prewired with 18-2 SJT-W water resistant cord. The standard cord length is 30ft. This model can optionally be ordered with a 50ft cord (**CL-308-AB-50**) or a 100ft cord (**CL-308-AB-100**). Additional cord lengths can also be supplied upon request.

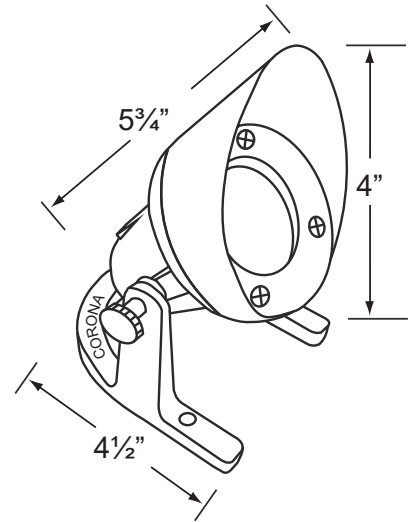
**Mounting:** Fully adjustable arms with solid brass thumb screws to provide light aiming. Fixture is mounted on a heavy duty brass bracket for a firm and stable underwater placement.

**Electrical Notes:** A remote 12V transformer is required. Options are available from Corona Lighting. Voltage range for LED lamps are 9V-17V.

**Warranty:** Limited lifetime warranty on fixture against manufacturer's defects.



3.5W and 5W



### AVAILABLE LED LAMPS (Corona LED lamps have a five (5) year limited warranty against manufacturer's defects)

LAMP NUMBER	WATTS	BEAM		COLOR & TEMP.	RATED HOURS	HALOGEN EQUIVALENT
		SPREAD	LUMEN			
L-ED16-3W-SP	3.5	15° Spot	270	2700K	50,000	25 Watt
L-ED16-3W-FL	3.5	45° Flood	270	2700K	50,000	25 Watt
L-ED16-3W-WF	3.5	60° Wide Flood	270	2700K	50,000	25 Watt
L-ED16-5W-SP	5	15° Spot	350	2700K	50,000	40 Watt
L-ED16-5W-FL	5	45° Flood	350	2700K	50,000	40 Watt
L-ED16-5W-WF	5	60° Wide Flood	350	2700K	50,000	40 Watt
L-ED16-COB5W-SP	5	15° Spot	450	2700K	50,000	50 Watt
L-ED16-COB5W-FL	5	38° Flood	450	2700K	50,000	50 Watt
L-ED16-COB5W-WF	5	60° Wide Flood	450	2700K	50,000	50 Watt
L-ED16-COB5W-SP3K	5	15° Spot	470	3000K	50,000	50 Watt
L-ED16-COB5W-FL3K	5	38° Flood	470	3000K	50,000	50 Watt
L-ED16-COB5W-WF3K	5	60° Wide Flood	470	3000K	50,000	50 Watt

▪ Single color MR-16 LED available in AMBER, BLUE, GREEN, PURPLE, RED and VIOLET

• When ordering LED lamp with a fixture your part number should follow the format below:

• **CL** - **product #** - **cord** - **lamp** - **wattage** - **lamp angle**  
**CL - 308-AB - 100 - L-ED16 - 5W - FL**

Example: CL-308-AB-100-L-ED16-5W-FL

### JOB INFORMATION

TYPE: DATE:

JOB NAME & ADDRESS:

PRODUCT #:

TOTAL QUANTITY:

LAMP TYPE & WATTAGE:

TRANSFORMER:

CONTRACTOR:

SPECIFIER:

## PRODUCT # : CL-308-AB

•Underwater

• Cast Brass

### Special Lenses & Honeycomb Louvers

CX-238	MR-16 Snap-on holder, <b>Silver Plated</b>
CX-239	MR-16 honeycomb louver, <b>Black</b>
CX-240-AM	MR-16 color lens, <b>Amber</b>
CX-240-BL	MR-16 color lens, <b>Blue</b>
CX-240-GR	MR-16 color lens, <b>Green</b>
CX-240-RD	MR-16 color lens, <b>Red</b>
CX-240-YL	MR-16 color lens, <b>Yellow</b>
CX-241	MR-16 lens, <b>Linear Spread</b>
CX-242	MR-16 lens, <b>Frosted</b>
CX-243	MR-16 lens, <b>Prismatic</b>



*For MR-16 Lenses and Louvers, you will need the CX-238*