

# SPECIFICATION SHEET

## PRODUCT # : CL-302-BK

•Well Lights

•Aluminum

### Fixture Specifications:

**Housing:** Die-cast aluminum fixture, mounted with Stainless steel retension clips, inside a PVC sleeve.

**Finish:** Polyester UV powder coated in **BK-Black** finish. Also available in **BR- Natural Brass**. PVC sleeve available in Black only.

**Lens:** Clear, tempered, and heat resistant glass.

**Socket:** Top grade ceramic bi-pin socket with retention clip.

**Lamp:** 12V, MR-16, 50W max. Available in LED (3.5W & 5W) or without lamp. See the Lamp Guide below for more information.

**Gasket:** Silicone "O" ring gasket seals faceplate providing weather tight protection.

**Wiring:** Fixture is prewired with a 3ft 18-2 SJT-W direct burial cord. Wire connector sold separately. Silicone filled direct burial wire nut (**CX-854**) is available from Corona Lighting.

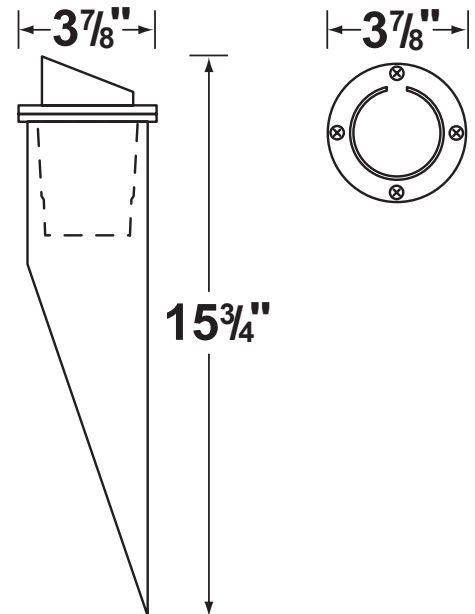
**Mounting:** In-ground direct burial or concrete encasement

**Electrical Notes:** A remote 12V transformer is required. Options are available from Corona Lighting. Voltage range for LED lamps are 9V-17V. Proper grease/lubricant is suggested on threaded parts during installation process.

**Warranty:** One (1) year limited warranty on fixture housing and faceplate against manufacturer's defects.



3.5W and 5W



### AVAILABLE LED LAMPS (Corona LED lamps have a five (5) year limited warranty against manufacturer's defects)

LAMP NUMBER	WATTS	BEAM		COLOR & TEMP.	RATED HOURS	HALOGEN EQUIVALENT
		SPREAD	LUMEN			
L-ED16-3W-SP	3.5	15° Spot	270	2700K	50,000	25 Watt
L-ED16-3W-FL	3.5	45° Flood	270	2700K	50,000	25 Watt
L-ED16-3W-WF	3.5	60° Wide Flood	270	2700K	50,000	25 Watt
L-ED16-5W-SP	5	15° Spot	350	2700K	50,000	40 Watt
L-ED16-5W-FL	5	45° Flood	350	2700K	50,000	40 Watt
L-ED16-5W-WF	5	60° Wide Flood	350	2700K	50,000	40 Watt
L-ED16-COB5W-SP	5	15° Spot	450	2700K	50,000	50 Watt
L-ED16-COB5W-FL	5	38° Flood	450	2700K	50,000	50 Watt
L-ED16-COB5W-WF	5	60° Wide Flood	450	2700K	50,000	50 Watt
L-ED16-COB5W-SP3K	5	15° Spot	470	3000K	50,000	50 Watt
L-ED16-COB5W-FL3K	5	38° Flood	470	3000K	50,000	50 Watt
L-ED16-COB5W-WF3K	5	60° Wide Flood	470	3000K	50,000	50 Watt

■ Single color MR-16 LED available in AMBER, BLUE, GREEN, PURPLE, RED and VIOLET

### JOB INFORMATION

TYPE: \_\_\_\_\_ DATE: \_\_\_\_\_

JOB NAME & ADDRESS: \_\_\_\_\_

PRODUCT #: \_\_\_\_\_

TOTAL QUANTITY: \_\_\_\_\_

LAMP TYPE & WATTAGE: \_\_\_\_\_

TRANSFORMER: \_\_\_\_\_

CONTRACTOR: \_\_\_\_\_

SPECIFIER: \_\_\_\_\_

• When ordering LED lamp with a fixture your part number should follow the format below:

• CL - **product #** - **lamp** - **wattage** - **lamp angle**

CL - 302-BK - L-ED16 - 5W - FL

Example: CL-302-BK-L-ED16-5W-FL

• Corona Lighting reserves the right to make any change and/or improvement to the design and construction of this fixture without further notification.

# ACCESSORIES SHEET

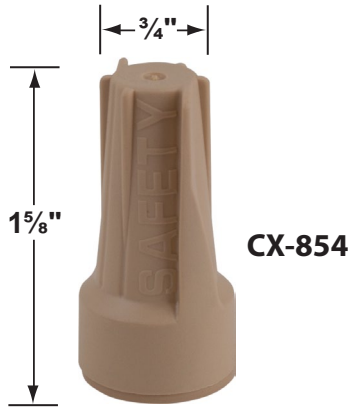
## PRODUCT # : CL-302-BK

• Well Lights

• Aluminum

### Cable Connector

CX-854 Direct Burial Silicone Filled Wire Nut, Tan



### Special Lenses & Honeycomb Louvers

CX-238	MR-16 Snap-on holder, <b>Silver Plated</b>
CX-239	MR-16 honeycomb louver, <b>Black</b>
CX-240-AM	MR-16 color lens, <b>Amber</b>
CX-240-BL	MR-16 color lens, <b>Blue</b>
CX-240-GR	MR-16 color lens, <b>Green</b>
CX-240-RD	MR-16 color lens, <b>Red</b>
CX-240-YL	MR-16 color lens, <b>Yellow</b>
CX-241	MR-16 lens, <b>Linear Spread</b>
CX-242	MR-16 lens, <b>Frosted</b>
CX-243	MR-16 lens, <b>Prismatic</b>

*For MR-16 Lenses and Louvers, you will need the CX-238*

