

# SPECIFICATION SHEET

## PRODUCT # : CL-207-AB

• Well Light

• Brass

### Fixture Specifications:

**Housing:** Cast Brass fixture mounted with stainless steel retention clips inside PVC sleeve.

**Faceplate:** Solid brass faceplate with 360° light output.

**Finish:** **AB- Antique Bronze**, Faceplate Natural toning process. AB finish will vary due to artistic process.

**Lens:** Clear, tempered and heat resistant raised flat glass.

**Socket:** Top grade ceramic bi-pin socket with retention clips to secure lamp in place

**Lamp:** 12V, MR-16, 50W max.  
Available in LED (3.5W & 5W) or without lamp.  
See the Lamp Guide below for more information.

**Gasket:** Silicone "O" ring seals faceplate to housing providing weather tight protection

**Wiring:**

Fixture is prewired with a 3ft 18-2 SJT-W direct burial cord. Wire connector sold separately. Silicone filled direct burial wire nut (**CX-854**) is available from Corona Lighting.

**Mounting:**

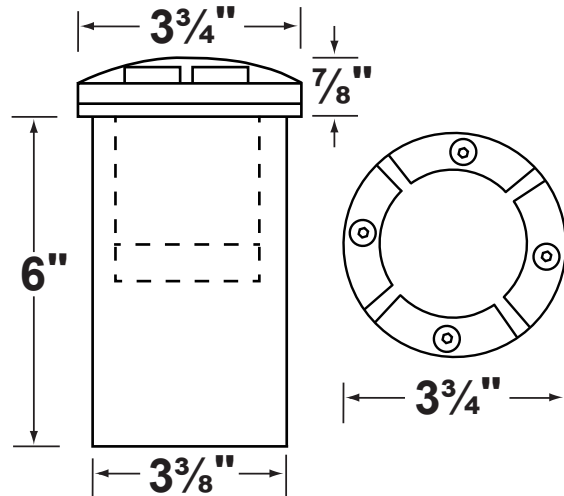
In-ground direct burial or concrete encasement.

**Electrical Notes:**

A remote 12V transformer is required. Options are available from Corona Lighting. Voltage range for LED lamps are 9V-17V. Proper grease/lubricant is suggested on threaded parts during installation process.

**Warranty:**

Limited lifetime warranty on brass fixture against manufacturer's defects.



**360° LIGHT OUTPUT**

**3.5W and 5W**

**AVAILABLE LED LAMPS** (Corona LED lamps have a five (5) year limited warranty against manufacturer's defects)

LAMP NUMBER	WATTS	BEAM		COLOR & TEMP.	RATED HOURS	HALOGEN EQUIVALENT
		SPREAD	LUMEN			
L-ED16-3W-SP	3.5	15° Spot	270	2700K	50,000	25 Watt
L-ED16-3W-FL	3.5	45° Flood	270	2700K	50,000	25 Watt
L-ED16-3W-WF	3.5	60° Wide Flood	270	2700K	50,000	25 Watt
L-ED16-5W-SP	5	15° Spot	350	2700K	50,000	40 Watt
L-ED16-5W-FL	5	45° Flood	350	2700K	50,000	40 Watt
L-ED16-5W-WF	5	60° Wide Flood	350	2700K	50,000	40 Watt
L-ED16-COB5W-SP	5	15° Spot	450	2700K	50,000	50 Watt
L-ED16-COB5W-FL	5	38° Flood	450	2700K	50,000	50 Watt
L-ED16-COB5W-WF	5	60° Wide Flood	450	2700K	50,000	50 Watt
L-ED16-COB5W-SP3K	5	15° Spot	470	3000K	50,000	50 Watt
L-ED16-COB5W-FL3K	5	38° Flood	470	3000K	50,000	50 Watt
L-ED16-COB5W-WF3K	5	60° Wide Flood	470	3000K	50,000	50 Watt

■ Single color MR-16 LED available in AMBER, BLUE, GREEN, PURPLE, RED and VIOLET

**JOB INFORMATION**

TYPE: DATE:

JOB NAME & ADDRESS:

PRODUCT #:

TOTAL QUANTITY:

LAMP TYPE & WATTAGE:

TRANSFORMER:

CONTRACTOR:

SPECIFIER:

• When ordering LED lamp with a fixture your part number should follow the format below:

• CL - product # - lamp - wattage - lamp angle

CL - 207-AB - L-ED16 - 5W - FL

Example: CL-207-AB-L-ED16-5W-FL

• Corona Lighting reserves the right to make any change and/or improvement to the design and construction of this fixture without further notification.

**PRODUCT # : CL-207-AB**

• Well Lights

• Brass

**Cable Connector**

CX-854 Direct Burial Silicone Filled Wire Nut, Tan



**CX-854**

**Special Lenses & Honeycomb Louvers**

- CX-238 MR-16 Snap-on holder, **Silver Plated**
- CX-239 MR-16 honeycomb louver, **Black**
- CX-240-AM MR-16 color lens, **Amber**
- CX-240-BL MR-16 color lens, **Blue**
- CX-240-GR MR-16 color lens, **Green**
- CX-240-RD MR-16 color lens, **Red**
- CX-240-YL MR-16 color lens, **Yellow**
- CX-241 MR-16 lens, **Linear Spread**
- CX-242 MR-16 lens, **Frosted**
- CX-243 MR-16 lens, **Prismatic**

*For MR-16 Lenses and Louvers, you will need the CX-238*

