

SPECIFICATION SHEET

PRODUCT # : CL-114B-GM

• Down Lights

• Cast Brass

Fixture Specifications:

Housing & Shroud: Corrosion Resistant Cast Brass.

Finish: **GM- Gun Metal.** Natural toning process. GM finish will vary due to artistic process. Also available in **AB**, and **RC** finishes

Lens: Clear and heat resistant convex glass.

Socket: Top grade loose bi-pin socket, with spring loaded design.

Lamp: 12V, MR-16, 35W max. Available in LED (3.5W & 5W) or without lamp. See the Lamp Guide below for more information.

Wiring: Fixture is prewired with a 3-ft 18-2 SPT2-W direct burial cord. Wire connector available separately. Universal connector (**CX-839**) and silicone filled wire nut (**CX-854**) are available from Corona Lighting.

Gasket: Silicone double gasketed for water tight sealing.

Knuckle: Adjustable cast brass knuckle with thumb screw

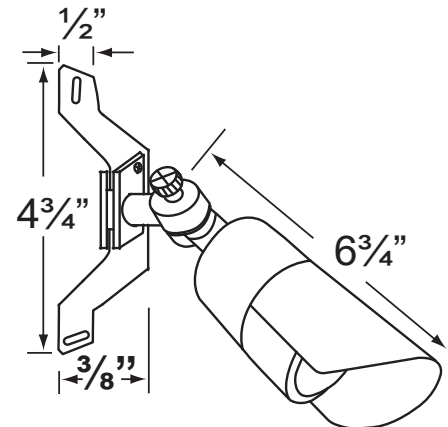
Mounting: Brass Bracket with 1/2" NPT threaded female hub. CX-709B Brass Canopy mounting is also available.

Electrical Notes: A remote 12V transformer is required. Options are available from Corona Lighting. Voltage range for LED lamps are 9V-17V. Some assembly needed. Proper grease/lubricant is suggested on threaded parts during installation.

Warranty: Limited lifetime warranty on fixture housing against manufacturer's defects.



3.5W and 5W



ACCESSORY



Mounting Bracket

CX-719B-GM
GM- Gun Metal

Fixtures comes standard with CX-719B-GM.

CX-709B-GM also available (shown above)

AVAILABLE LED LAMPS (Corona LED lamps have a five (5) year limited warranty against manufacturer's defects)

LAMP NUMBER	WATTS	SPREAD	LUMEN	TEMP.
L-ED16-3W-SP	3.5	15° Spot	270	2700K
L-ED16-3W-FL	3.5	45° Flood	270	2700K
L-ED16-3W-WF	3.5	60° Wide Flood	270	2700K
L-ED16-5W-SP	5	15° Spot	350	2700K
L-ED16-5W-FL	5	45° Flood	350	2700K
L-ED16-5W-WF	5	60° Wide Flood	350	2700K
L-ED16-COB5W-SP	5	15° Spot	450	2700K
L-ED16-COB5W-FL	5	38° Flood	450	2700K
L-ED16-COB5W-WF	5	60° Wide Flood	450	2700K
L-ED16-COB5W-SP3K	5	15° Spot	470	3000K
L-ED16-COB5W-FL3K	5	38° Flood	470	3000K
L-ED16-COB5W-WF3K	5	60° Wide Flood	470	3000K

■ Single color MR-16 LED available in AMBER, BLUE, GREEN, PURPLE, RED and VIOLET

JOB INFORMATION

TYPE: DATE:

JOB NAME & ADDRESS:

PRODUCT #:

TOTAL QUANTITY:

LAMP TYPE & WATTAGE:

TRANSFORMER:

CONTRACTOR:

SPECIFIER:

• When ordering LED lamp with a fixture your part number should follow the format below:

• **CL** - **product #** - **lamp** - **wattage** - **lamp angle**
CL - 114B-GM - L-ED16 - 5W - FL

Example: CL-114B-GM-L-ED16-5W-FL

• Corona Lighting reserves the right to make any change and/or improvement to the design and construction of this fixture without further notification.

PRODUCT # : CL-114B-GM

Down Lights

• Cast Brass

Cable Connectors

- CX-854 Direct Burial Silicone Filled Wire Nut, **Tan**
- CX-858 Speedy Cable Connector, Supply Cable up to 10-2, **Black**
- CX-839 Universal cable connector, Supply cable up to 8-2, one/Pack **Black**



Special Lenses & Honeycomb Louvers

- CX-238 MR-16 Snap-on holder, **Silver Plated**
- CX-239 MR-16 honeycomb louver, **Black**
- CX-240-AM MR-16 color lens, **Amber**
- CX-240-BL MR-16 color lens, **Blue**
- CX-240-GR MR-16 color lens, **Green**
- CX-240-RD MR-16 color lens, **Red**
- CX-240-YL MR-16 color lens, **Yellow**
- CX-241 MR-16 lens, **Linear Spread**
- CX-242 MR-16 lens, **Frosted**
- CX-243 MR-16 lens, **Prismatic**

For MR-16 Lenses and Louvers, you will need the CX-238

